

SUMMER FORGING



Customer Satisfaction Creates Mutual Benefits



Summer Forging was founded in 1973, for more than 40 years always believes that customer satisfaction creates mutual benefits. Concentrating on forging industrial development from precision forging machine laboratory and demonstration factory become an independent Taiwanese cold forging pioneer.

Through a number of international certifications, we have excellent experiences and abilities in production process and mold design and development, also can cooperate with customers' needs and joint products development. The products are used in a wide range of applications, including automotive, motorcycle, bicycle components, machinery, electronic components and hardware tools, hand tools, pneumatic power tools ext..., so that Summer Forging can grow steadily in a highly competitive market and achieve sustainable development goal.



- 2018 ● IATF16949:2016 & ISO9001:2015 upgraded
- 2015 ● Upgraded die making facilities
- 2012 ● Introduced Simulation and Tooling design software
- 2011 ● Launch Cold/Warm and Hot combined forging technology
- 2009 ● ISO 146064-1 certified
- 2007 ● ISO/TS 16949:2002 certified
- 2004 ● ISO9001:2000 certified
- 1985 ● Recruitment of Mr. SAWABE from Japan Cold Forging Co., a subsidiary of Mitsubishi Heavy Industry, as General Manager
- 1977 ● Launch production of cold-forged socket wrenches
- 1974 ● Technical cooperation in cold forging with Japanese Yamamoto Seisakusho
- 1973 ● Established Summer Forging Industrial Co., Ltd.





Forging Press Facilities

Processing Equipment

Forging Method	Tonnage	Set
Cold Forging	1600T	1
	1200T	1
	800T	2
	650T	8
	630T	1
	400T	9
	100-200T	1
	35T ~ 100T	6
Hot Forging	1600T	1
	1000T	1
	400T	3

Machine	Set
Bonderizing Line	2
Spherodizing Furnace	2
Continuous Type Annealing Furnace	2
Sand Blasting Machine	2



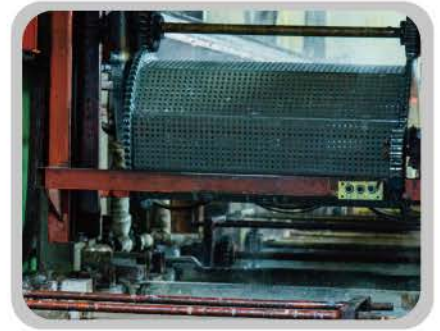
Cold Forging



1 Sawing



2 Spheroidizing



3 Bonderizing



4 Cold Forging



5 Annealing



6 Sizing



7 Magnetic Flaw Detection



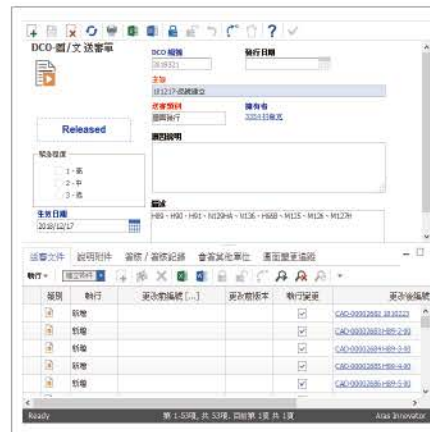
8 Container Shipping

Hot Forging

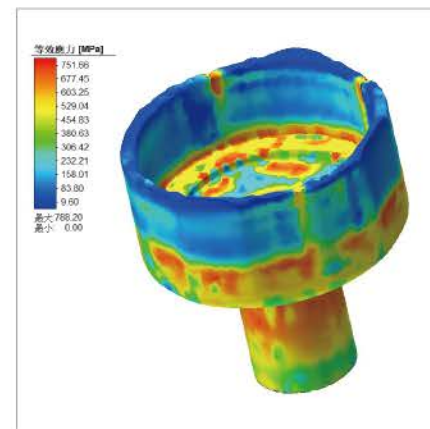
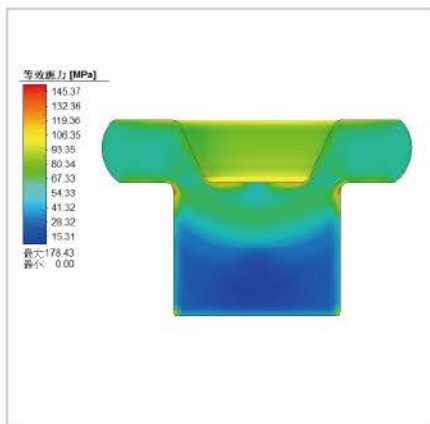


With more than 40 years of experiences in mold design, process development and mass production, Summer Forging has established its own knowledge management system to provide customers with one-stop service, such as cold forging, warm forging, hot forging and composite forging. We also extend our process to heat treatment and machining, provide customers with more services.

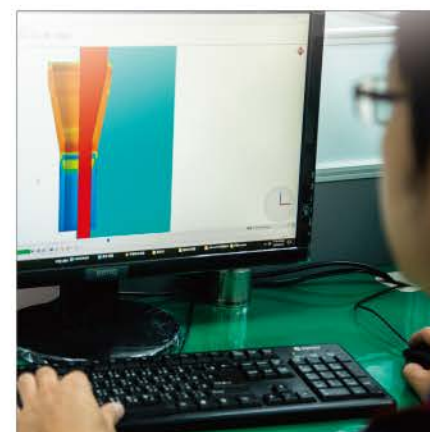
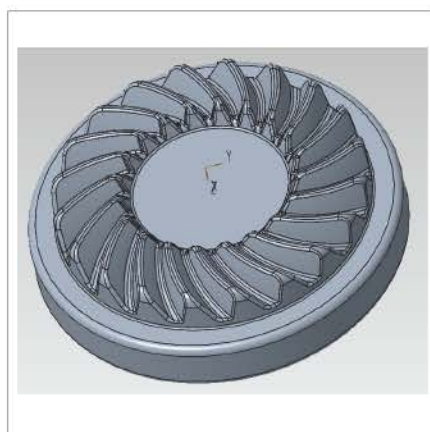
PDM/PLM



Simulation Software



CAD/CAE



Focus on the development of research and development technology, dedicated to the design, development and manufacture of products and molds, thereby shortening the process, saving materials, and providing customers with more competitive products and services.



Abrasive Flow Machine



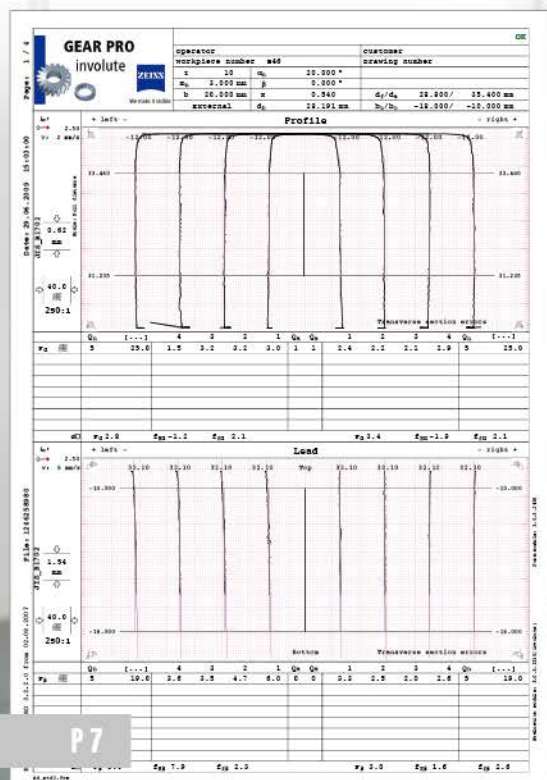
Shot Blasting Polish Machine



Wire Cut



EDM



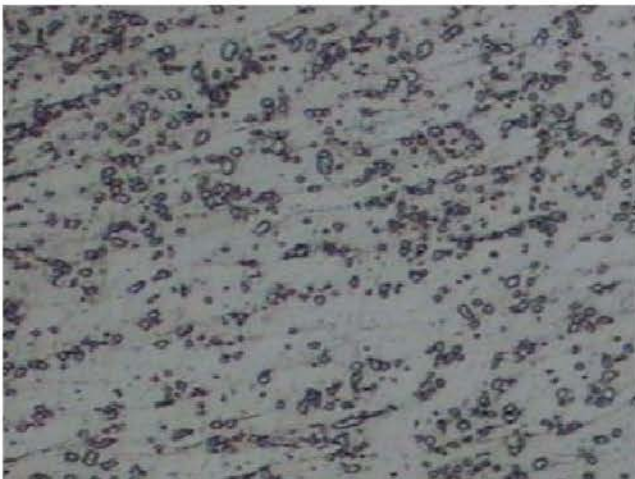
Summer Forging complies with the relevant regulations of ITAF16949 and implements various quality policies to strictly control each process and product quality.



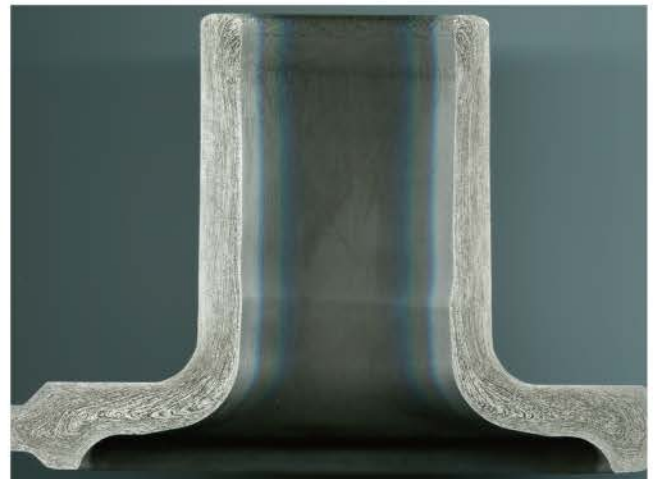
SPECTRO Optical Emission Spectrometer



3D CMM Coordinate Measuring



Metallographic Analysis



Grain Flow Analysis

Inspection Equipment

• Magnetic Flaw Detection	1	• Micro Vickers Hardness Tester	1
• 3D CMM Coordinate Measuring	2	• Rockwell Hardness Testing	1
• Metallurgical Microscope	1	• Metallographic Cutting	2
• 2.5D Projector Measuring Instrument	2	• Grinding	1
• Mitutoyo Profile Meter	1	• Polishing	1
• SPECTRO Optical Emission Spectrometer	1	• Mounting	1

Raw Materials

- Carbon Steel
- Alloy Steel
- Stainless Steel
- Copper Alloy
- Aluminum Alloy

Specification

- Weight 0.01kg ~ 6kg

- OD $\varnothing 4 \sim \varnothing 200$

- Length 4mm ~ 300mm

Automotive Parts



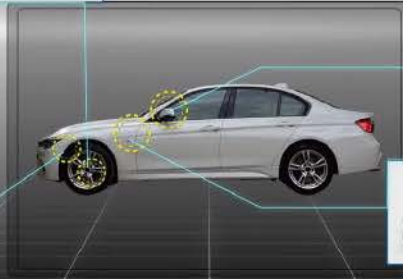
Transmission Applications



Power Steering System Shaft



Pump Gear



Air Condition System

Bicycle Parts



Transmission system Components



Rear Derailleur



Crank

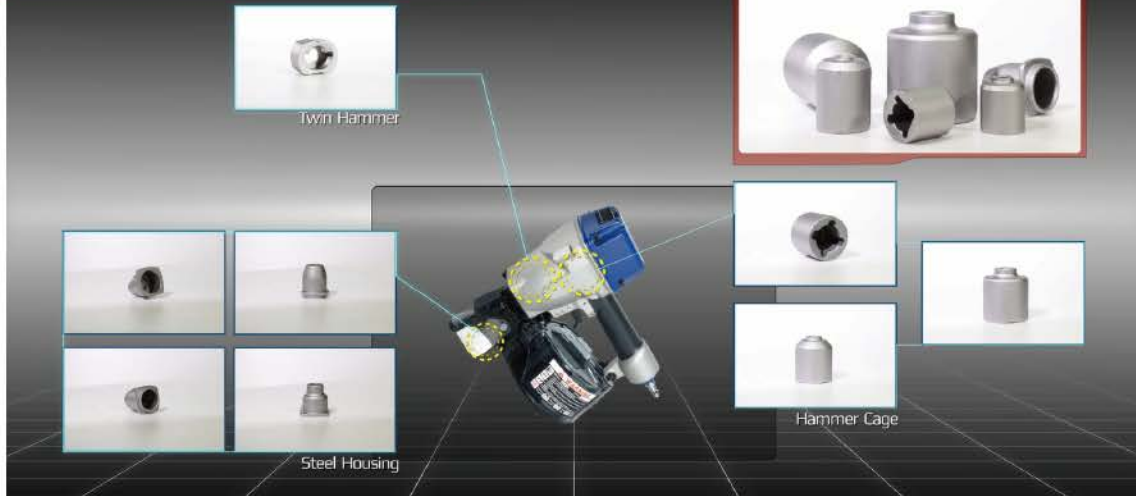


Cassette sprockets

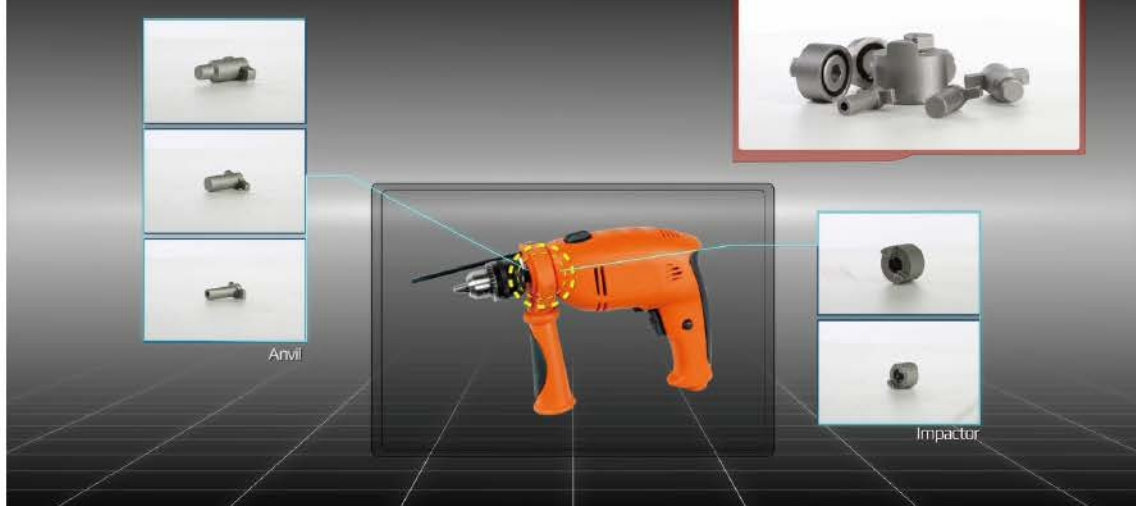


Chainring

Air Tool Parts



Electric Tool Parts



Machinery & General Hardware Parts





三卯鍛壓工業股份有限公司
SUMMER FORGING INDUSTRIAL CO., LTD.

Consistent Automation & Excellent Performance

📍 No. 12, Fugong Rd., Fusing Industrial District,
Changhua County 50062,
Taiwan

☎ +886-4-769-5161

📠 +886-4-769-1677

✉ sales@forge.com.tw



www.forge.com.tw